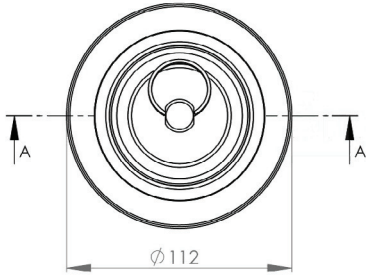
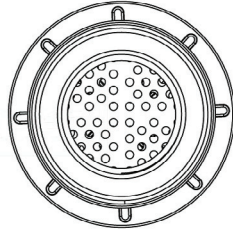


# Commercial Waste Trap

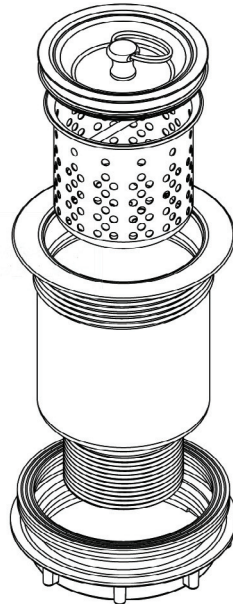
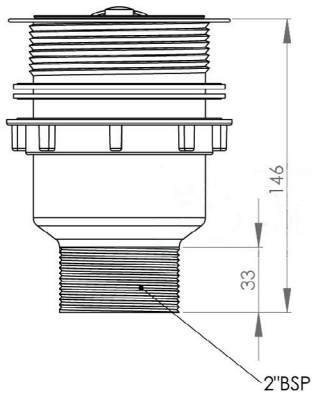
TOP



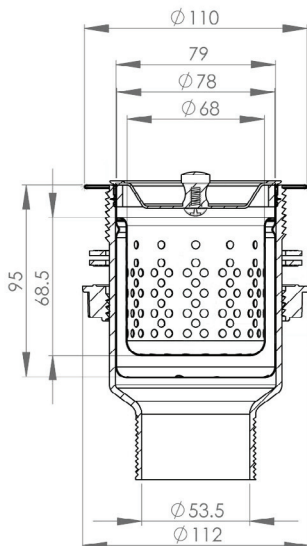
BOTTOM



SIDE



CROSS-SECTION A-A



Product Code:

**SSBW**

An innovative product that is perfect for use in food preparation areas, the SSBW suits a standard 90mm waste outlet with 50mm BSP thread/connection. Features include a removable stainless steel basket with fixed secondary strainer.

## Features and Benefits:

- Watermark Approval Number: 40055
- Removable stainless steel strainer basket
- Fixed secondary strainer
- Complete with removable plug
- Can be retro fitted to standard 90mm outlet
- In stock and available for immediate delivery

