

**Notes**

**1. General**

- 1.1. Tank constructed from Polyethylene.
- 1.2. The Vessel is to be installed in a location that will not cause a nuisance, obstruct fire access, cannot be vandalised or be damaged by vehicles.
- 1.3. The Vessel must have ease of access to pumpout point for maintenance.
- 1.4. A hose tap fitted with RPZD backflow protection (as per AS/NZS 3500).
- 1.5. Non standard installations require Halgan approval.

**2. Installation above ground**

- 2.1. Pump station must be placed on a level concrete base designed to withstand pump station loadings.
- 2.2. Ensure tank is protected from external damage.
- 2.3. All stormwater must be diverted away from the Vessel to prevent undermining of foundation.

**3. Installation below ground**

- 3.1. All connections to the Halgan Pumpstation shall be in accordance with the appropriate authorities.
- 3.2. Any excavation exceeding 1.5m in depth shall comply with the construction safety Acts and Regulations.

**4. Excavation dimensions**

- 4.1. The excavated hole width shall be kept as narrow as practicable. The depth shall not be greater than 150mm and the width not greater than 75mm of the tank dimensions.

**5. Bedding/Backfill**

- 5.1. Bed down the tank in fresh concrete.
- 5.2. The bedding/backfill should be a lean concrete mix encasing  $\frac{1}{3}$  the depth of the tank.
- 5.3. The bedding/backfill shall be compacted in 300mm layers.
- 5.4. The remaining  $\frac{2}{3}$  of the tank shall be backfilled with blue metal up to 10mm diameter.
- 5.5. The backfill shall be compacted in 300mm layers to encase the whole tank.
- 5.6. Foreign material such as builder's waste, bricks and concrete shall not be used as backfill.
- 5.7. The backfill shall be compacted to restore the excavated hole as near as possible to the normal ground

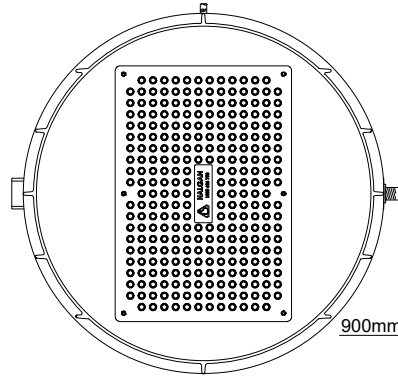
**6. Water charged ground**

- 6.1. Installation in areas subject to flooding & groundwater is only permitted when the level of water does not exceed the height of the middle of the tank.
- 6.2. In areas of heavy, clay-like soils, the installation is only permitted when there is sufficient drainage underneath the body of the tank.

**7. Pipe work**

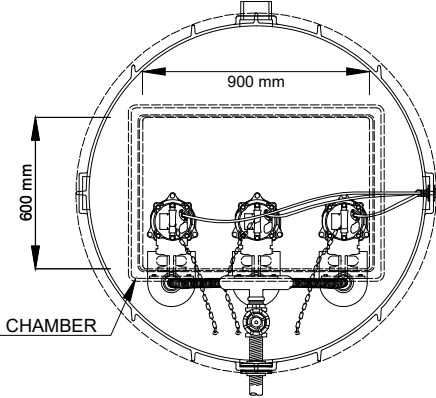
- 7.1. An isolation valve must be provided in the common discharge line and a non return valve must be provided on each pump discharge.
- 7.2. For free standing pumps a barrel union/quick release coupling must also be provided.
- 7.3. For guiderail installations a disconnection flange or barrel union should be provided to facilitate service of check valves.
- 7.4. The valves and barrel unions/quick release coupling disconnection points should be located as close as practical to the top of the pump station and be accessible from the access chamber.
- 7.5. Outlet pipework size depend on pump model discharge size selected.

# HALGAN™ HPS3000 TRIPLEX VORTEX PUMP STATION W/GUIDE RAILS DETAIL

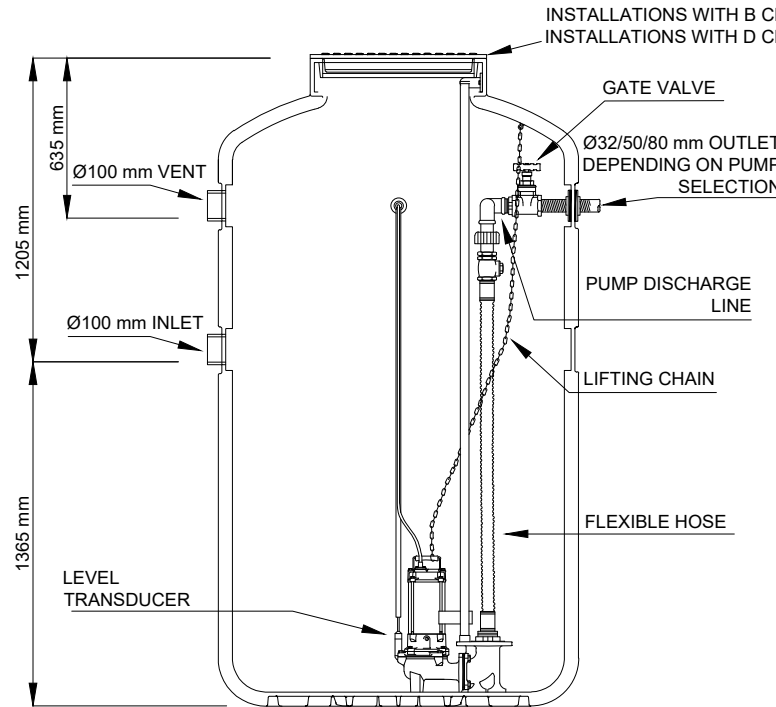


900mm x 600mm ACCESS CHAMBER

PLAN VIEW

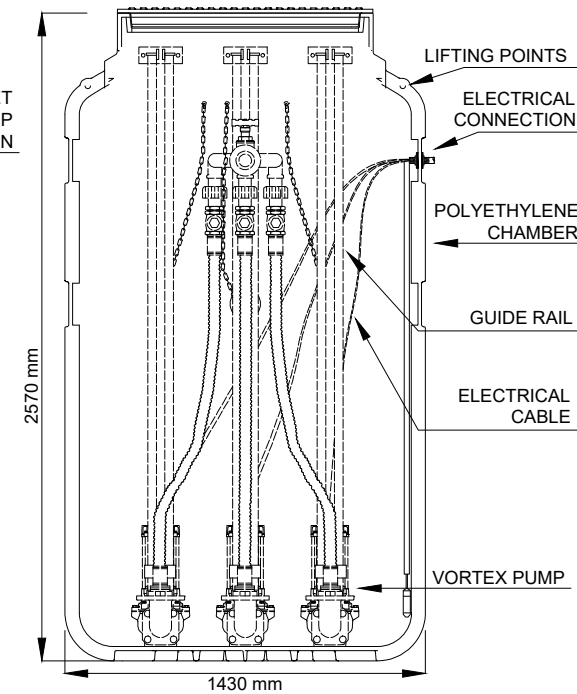


PLAN VIEW - LID REMOVED



SECTIONAL SIDE ELEVATION

INSTALLATIONS WITH B CLASS LIDS ADD 55 mm TO FSL  
INSTALLATIONS WITH D CLASS LIDS ADD 90 mm TO FSL



SECTIONAL ELEVATION

HALGAN™ HPS3000 PUMP STATION DIMENSIONS				
MODEL	HEIGHT	WIDTH	VOLUME	TANK WEIGHT
HPS3000	2570 mm	1430 mm	3000 L	225 KG



Global-Mark.com.au®  
ID Number: 100896

THIS DRAWING AND THE INFORMATION CONTAINED HEREON ARE THE PROPERTY OF HALGAN PTY LTD AND MUST NOT BE COPIED, REPRODUCED OR USED WITHOUT THE WRITTEN PERMISSION OF HALGAN PTY LTD.  
**DO NOT SCALE IF IN DOUBT ASK**



Freecall 1800 626 753  
22, Ethel Avenue  
Brookvale NSW 2100  
admin@halgan.com.au  
www.halgan.com.au

MEASUREMENTS CAN VARY ± 3%

**HALGAN™ HPS3000 TRIPLEX VORTEX PUMP STATION W/GUIDE RAILS DETAIL**

REV	DATE	DESCRIPTION	BY	CHKD	APP
A	27.08.2018	DETAIL DESIGN	IF	JB	

DRAWN	DATE
IF	27.08.2018
CHECKED	SCALE
JB	1:30
DWG NO	REV
HPS3000/TV/VORTEX/GR	